

DVIO Series 光学平台

光学平台

DVIO系列是为对振动敏感的精密光学实验而精心设计的高性能光学平台。使用轻便而具有高刚性的钢蜂窝芯结构光学台面，其静态及动态刚性均较高，因此具有出色的振动衰减功能。另外，使用由高性能空气弹簧隔振系统组成的支撑架，在各个方向上发挥着出色的隔振性能。因此，能够不受周边环境的影响，进行有效的精密光学实验。

光学台面

种类：研究用：精密光学实验用
科学实验用：普通光学实验用

特点：·拥有与重量相比出众的刚性
·高刚性钢蜂窝芯结构
·极低的固有振动频率
·出众的衰减性能
·安装防溢杯



科学级光学平台

平台支撑系统

种类：·根据隔振类型
→ 气动支撑或刚性支撑
·根据支撑架形态
→ 集成式支撑和自立式支撑

特点：·垂直和水平方向上出众的隔振性能
·两室设计 - 有效的振动阻尼
·自动调平系统 - 调平阀
·出众的重复精密度



研究级光学平台

光学平台的作用

对于光学相关的研究及实验来说，最重要的是要有不受振动影响的环境。但协作设备、热泵、噪音、行车等无法控制的因素与建筑物结构均会引发振动，导致光学系统的整体性能降低。光学平台能够使固定摆放在光学台面之上的敏感光学因素之间不产生相对运动，并且使光学台面与地板振动相隔离。

光学平台须满足以下条件。

静态刚性 (Static Stiffness)

光学台面的表面平坦度必须要好，刚性也要出众。另外，要保证不会引起共振，并且轻便，即使长时间使用也不会因为负载引起静态变形。

动态刚性 (Dynamic Stiffness)

必须要使直接施加到光学台面的外力（光学系统内部的驱动装置、走线、管子、噪音、风等）所引发的台面变形达到最小化，并且从内部衰减外力，因此动态刚性必须出色。

隔振性能 (Transmissibility)

为了将地板的振动与光学台面上安装的设备相隔离，光学平台的支撑架必须能够隔离或衰减振动。为了在低频段有效隔振，要使用固有振动频率低的空气弹簧结构隔振系统；为了隔离噪音振动及防治热变，还要一同使用桌面附件 (Table Enclosure)。



非磁性光学平台

型号排序图

Optical Table (Breadboard 50t + Support)

Model No.	Dimensions W x D x H (mm)	Dimensions W x D x H (in.)
DVIO-I/R-0906M/E-50(H)	900 x 600 x H	36 x 24 x H
DVIO-I/R-0907M/E-50(H)	900 x 700 x H	36 x 28 x H
DVIO-I/R-0975M/E-50(H)	900 x 750 x H	36 x 30 x H
DVIO-I/R-0909M/E-50(H)	900 x 900 x H	36 x 36 x H
DVIO-I/R-1005M/E-50(H)	1000 x 500 x H	40 x 20 x H
DVIO-I/R-1006M/E-50(H)	1000 x 600 x H	40 x 24 x H
DVIO-I/R-1007M/E-50(H)	1000 x 700 x H	40 x 28 x H
DVIO-I/R-1075M/E-50(H)	1000 x 750 x H	40 x 30 x H
DVIO-I/R-1009M/E-50(H)	1000 x 900 x H	40 x 36 x H
DVIO-I/R-1010M/E-50(H)	1000 x 1000 x H	40 x 40 x H
DVIO-I/R-1206M/E-50(H)	1200 x 600 x H	48 x 24 x H
DVIO-I/R-1207M/E-50(H)	1200 x 700 x H	48 x 28 x H
DVIO-I/R-1275M/E-50(H)	1200 x 750 x H	48 x 30 x H
DVIO-I/R-1209M/E-50(H)	1200 x 900 x H	48 x 36 x H
DVIO-I/R-1210M/E-50(H)	1200 x 1000 x H	48 x 40 x H
DVIO-I/R-1212M/E-50(H)	1200 x 1200 x H	48 x 48 x H
DVIO-I/R-1306M/E-50(H)	1300 x 600 x H	52 x 24 x H
DVIO-I/R-1506M/E-50(H)	1500 x 600 x H	60 x 24 x H
DVIO-I/R-1507M/E-50(H)	1500 x 700 x H	60 x 28 x H
DVIO-I/R-1575M/E-50(H)	1500 x 750 x H	60 x 30 x H
DVIO-I/R-1509M/E-50(H)	1500 x 900 x H	60 x 36 x H
DVIO-I/R-1510M/E-50(H)	1500 x 1000 x H	60 x 40 x H
DVIO-I/R-1512M/E-50(H)	1500 x 1200 x H	60 x 48 x H
DVIO-I/R-1806M/E-50(H)	1800 x 600 x H	72 x 24 x H
DVIO-I/R-1807M/E-50(H)	1800 x 700 x H	72 x 28 x H
DVIO-I/R-1809M/E-50(H)	1800 x 900 x H	72 x 36 x H
DVIO-I/R-1812M/E-50(H)	1800 x 1200 x H	72 x 48 x H
DVIO-I/R-2010M/E-50(H)	2000 x 1000 x H	80 x 40 x H
DVIO-I/R-2012M/E-50(H)	2000 x 1200 x H	80 x 48 x H
DVIO-I/R-2409M/E-50(H)	2400 x 900 x H	96 x 36 x H
DVIO-I/R-2412M/E-50(H)	2400 x 1200 x H	96 x 48 x H

Optical Table (Breadboard 100t + Support)

Model No.	Dimensions W x D x H (mm)	Dimensions W x D x H (in.)
DVIO-I/R-0906M/E-100(H)	900 x 600 x H	36 x 24 x H
DVIO-I/R-0907M/E-100(H)	900 x 700 x H	36 x 28 x H
DVIO-I/R-0975M/E-100(H)	900 x 750 x H	36 x 30 x H
DVIO-I/R-0909M/E-100(H)	900 x 900 x H	36 x 36 x H
DVIO-I/R-1005M/E-100(H)	1000 x 500 x H	40 x 20 x H
DVIO-I/R-1006M/E-100(H)	1000 x 600 x H	40 x 24 x H
DVIO-I/R-1007M/E-100(H)	1000 x 700 x H	40 x 28 x H
DVIO-I/R-1075M/E-100(H)	1000 x 750 x H	40 x 30 x H
DVIO-I/R-1009M/E-100(H)	1000 x 900 x H	40 x 36 x H
DVIO-I/R-1010M/E-100(H)	1000 x 1000 x H	40 x 40 x H
DVIO-I/R-1206M/E-100(H)	1200 x 600 x H	48 x 24 x H
DVIO-I/R-1207M/E-100(H)	1200 x 700 x H	48 x 28 x H
DVIO-I/R-1275M/E-100(H)	1200 x 750 x H	48 x 30 x H
DVIO-I/R-1209M/E-100(H)	1200 x 900 x H	48 x 36 x H
DVIO-I/R-1210M/E-100(H)	1200 x 1000 x H	48 x 40 x H
DVIO-I/R-1212M/E-100(H)	1200 x 1200 x H	48 x 48 x H
DVIO-I/R-1506M/E-100(H)	1500 x 600 x H	60 x 24 x H
DVIO-I/R-1507M/E-100(H)	1500 x 700 x H	60 x 28 x H
DVIO-I/R-1575M/E-100(H)	1500 x 750 x H	60 x 30 x H
DVIO-I/R-1509M/E-100(H)	1500 x 900 x H	60 x 36 x H
DVIO-I/R-1510M/E-100(H)	1500 x 1000 x H	60 x 40 x H
DVIO-I/R-1512M/E-100(H)	1500 x 1200 x H	60 x 48 x H
DVIO-I/R-1806M/E-100(H)	1800 x 600 x H	72 x 24 x H
DVIO-I/R-1807M/E-100(H)	1800 x 700 x H	72 x 28 x H
DVIO-I/R-1809M/E-100(H)	1800 x 900 x H	72 x 36 x H
DVIO-I/R-1812M/E-100(H)	1800 x 1200 x H	72 x 48 x H
DVIO-I/R-2010M/E-100(H)	2000 x 1000 x H	80 x 40 x H
DVIO-I/R-2012M/E-100(H)	2000 x 1200 x H	80 x 48 x H
DVIO-I/R-2409M/E-100(H)	2400 x 900 x H	96 x 36 x H
DVIO-I/R-2410M/E-100(H)	2400 x 1000 x H	96 x 40 x H
DVIO-I/R-2412M/E-100(H)	2400 x 1200 x H	96 x 48 x H

* 除以上规格之外亦可定做。

Optical Table (Table Top 200t + Support)

Model No.	Dimensions W x D x H (mm)	Dimensions W x D x H (in.)
DVIO-I/R-1010M/E-200-I(H)-R.G./S.G	1000 x 1000 x H	40 x 40 x H
DVIO-I/R-1212M/E-200-I(H)-R.G./S.G	1200 x 1200 x H	48 x 48 x H
DVIO-I/R-1575M/E-200-I(H)-R.G./S.G	1500 x 750 x H	60 x 30 x H
DVIO-I/R-1509M/E-200-I(H)-R.G./S.G	1500 x 900 x H	60 x 36 x H
DVIO-I/R-1510M/E-200-I(H)-R.G./S.G	1500 x 1000 x H	60 x 40 x H
DVIO-I/R-1512M/E-200-I(H)-R.G./S.G	1500 x 1200 x H	60 x 48 x H
DVIO-I/R-1515M/E-200-I(H)-R.G./S.G	1500 x 1500 x H	60 x 60 x H
DVIO-I/R-1807M/E-200-I(H)-R.G./S.G	1800 x 700 x H	72 x 28 x H
DVIO-I/R-1875M/E-200-I(H)-R.G./S.G	1800 x 750 x H	72 x 30 x H
DVIO-I/R-1809M/E-200-I(H)-R.G./S.G	1800 x 900 x H	72 x 36 x H
DVIO-I/R-1810M/E-200-I(H)-R.G./S.G	1800 x 1000 x H	72 x 40 x H
DVIO-I/R-1812M/E-200-I(H)-R.G./S.G	1800 x 1200 x H	72 x 48 x H
DVIO-I/R-1815M/E-200-I(H)-R.G./S.G	1800 x 1500 x H	72 x 60 x H
DVIO-I/R-2009M/E-200-I(H)-R.G./S.G	2000 x 900 x H	80 x 36 x H
DVIO-I/R-2010M/E-200-I(H)-R.G./S.G	2000 x 1000 x H	80 x 40 x H
DVIO-I/R-2012M/E-200-I(H)-R.G./S.G	2000 x 1200 x H	80 x 48 x H
DVIO-I/R-2015M/E-200-I(H)-R.G./S.G	2000 x 1500 x H	80 x 60 x H
DVIO-I/R-2409M/E-200-I(H)-R.G./S.G	2400 x 900 x H	96 x 36 x H
DVIO-I/R-2410M/E-200-I(H)-R.G./S.G	2400 x 1000 x H	96 x 40 x H
DVIO-I/R-2412M/E-200-I(H)-R.G./S.G	2400 x 1200 x H	96 x 48 x H
DVIO-I/R-2415M/E-200-I(H)-R.G./S.G	2400 x 1500 x H	96 x 60 x H
DVIO-I/R-2508M/E-200-I(H)-R.G./S.G	2500 x 800 x H	100 x 32 x H
DVIO-I/R-3009M/E-200-I(H)-R.G./S.G	3000 x 900 x H	120 x 36 x H
DVIO-I/R-3010M/E-200-I(H)-R.G./S.G	3000 x 1000 x H	120 x 40 x H
DVIO-I/R-3012M/E-200-I(H)-R.G./S.G	3000 x 1200 x H	120 x 48 x H
DVIO-I/R-3015M/E-200-I(H)-R.G./S.G	3000 x 1500 x H	120 x 60 x H
DVIO-I/R-3612M/E-200-I(H)-R.G./S.G	3600 x 1200 x H	144 x 48 x H
DVIO-I/R-3615M/E-200-I(H)-R.G./S.G	3600 x 1500 x H	144 x 60 x H

Optical Table (Table Top 300t + Support)

Model No.	Dimensions W x D x H (mm)	Dimensions W x D x H (in.)
DVIO-I/R-1010M/E-300-I(H)-R.G./S.G	1000 x 1000 x H	40 x 40 x H
DVIO-I/R-1212M/E-300-I(H)-R.G./S.G	1200 x 1200 x H	48 x 48 x H
DVIO-I/R-1575M/E-300-I(H)-R.G./S.G	1500 x 750 x H	60 x 30 x H
DVIO-I/R-1509M/E-300-I(H)-R.G./S.G	1500 x 900 x H	60 x 36 x H
DVIO-I/R-1510M/E-300-I(H)-R.G./S.G	1500 x 1000 x H	60 x 40 x H
DVIO-I/R-1512M/E-300-I(H)-R.G./S.G	1500 x 1200 x H	60 x 48 x H
DVIO-I/R-1515M/E-300-I(H)-R.G./S.G	1500 x 1500 x H	60 x 60 x H
DVIO-I/R-1875M/E-300-I(H)-R.G./S.G	1800 x 750 x H	72 x 30 x H
DVIO-I/R-1809M/E-300-I(H)-R.G./S.G	1800 x 900 x H	72 x 36 x H
DVIO-I/R-1810M/E-300-I(H)-R.G./S.G	1800 x 1000 x H	72 x 40 x H
DVIO-I/R-1812M/E-300-I(H)-R.G./S.G	1800 x 1200 x H	72 x 48 x H
DVIO-I/R-1815M/E-300-I(H)-R.G./S.G	1800 x 1500 x H	72 x 60 x H
DVIO-I/R-2009M/E-300-I(H)-R.G./S.G	2000 x 900 x H	80 x 36 x H
DVIO-I/R-2010M/E-300-I(H)-R.G./S.G	2000 x 1000 x H	80 x 40 x H
DVIO-I/R-2012M/E-300-I(H)-R.G./S.G	2000 x 1200 x H	80 x 48 x H
DVIO-I/R-2015M/E-300-I(H)-R.G./S.G	2000 x 1500 x H	80 x 60 x H
DVIO-I/R-2409M/E-300-I(H)-R.G./S.G	2400 x 900 x H	96 x 36 x H
DVIO-I/R-2410M/E-300-I(H)-R.G./S.G	2400 x 1000 x H	96 x 40 x H
DVIO-I/R-2412M/E-300-I(H)-R.G./S.G	2400 x 1200 x H	96 x 48 x H
DVIO-I/R-2415M/E-300-I(H)-R.G./S.G	2400 x 1500 x H	96 x 60 x H
DVIO-I/R-2515M/E-300-I(H)-R.G./S.G	2500 x 1500 x H	100 x 60 x H
DVIO-I/R-3009M/E-300-I(H)-R.G./S.G	3000 x 900 x H	120 x 36 x H
DVIO-I/R-3010M/E-300-I(H)-R.G./S.G	3000 x 1000 x H	120 x 40 x H
DVIO-I/R-3012M/E-300-I(H)-R.G./S.G	3000 x 1200 x H	120 x 48 x H
DVIO-I/R-3015M/E-300-I(H)-R.G./S.G	3000 x 1500 x H	120 x 60 x H
DVIO-I/R-3612M/E-300-I(H)-R.G./S.G	3600 x 1200 x H	144 x 48 x H
DVIO-I/R-3615M/E-300-I(H)-R.G./S.G	3600 x 1500 x H	144 x 60 x H

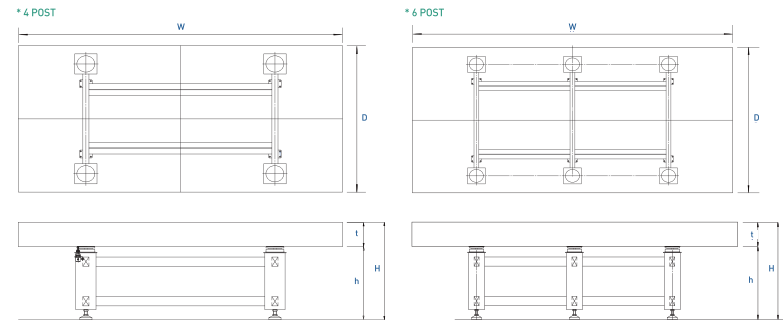
Optical Table (Table Top 400t + Support)

Model No.	Dimensions W x D x H (mm)	Dimensions W x D x H (in.)
DVIO-I/R-1812M/E-400-I(H)-R.G./S.G	1800 x 1200 x H	72 x 48 x H
DVIO-I/R-1815M/E-400-I(H)-R.G./S.G	1800 x 1500 x H	72 x 60 x H
DVIO-I/R-2010M/E-400-I(H)-R.G./S.G	2000 x 1000 x H	80 x 40 x H
DVIO-I/R-2012M/E-400-I(H)-R.G./S.G	2000 x 1200 x H	80 x 48 x H
DVIO-I/R-2015M/E-400-I(H)-R.G./S.G	2000 x 1500 x H	80 x 60 x H
DVIO-I/R-2409M/E-400-I(H)-R.G./S.G	2400 x 900 x H	96 x 36 x H
DVIO-I/R-2410M/E-400-I(H)-R.G./S.G	2400 x 1000 x H	96 x 40 x H
DVIO-I/R-2412M/E-400-I(H)-R.G./S.G	2400 x 1200 x H	96 x 48 x H
DVIO-I/R-2415M/E-400-I(H)-R.G./S.G	2400 x 1500 x H	96 x 60 x H
DVIO-I/R-3009M/E-400-I(H)-R.G./S.G	3000 x 900 x H	120 x 36 x H
DVIO-I/R-3010M/E-400-I(H)-R.G./S.G	3000 x 1000 x H	120 x 40 x H
DVIO-I/R-3012M/E-400-I(H)-R.G./S.G	3000 x 1200 x H	120 x 48 x H
DVIO-I/R-3015M/E-400-I(H)-R.G./S.G	3000 x 1500 x H	120 x 60 x H
DVIO-I/R-3612M/E-400-I(H)-R.G./S.G	3600 x 1200 x H	144 x 48 x H
DVIO-I/R-3615M/E-400-I(H)-R.G./S.G	3600 x 1500 x H	144 x 60 x H

* 除以上规格之外亦可定做。

产品订购描述

DVIO-I/R-2010 M/E-N-200t-(800H)-R.G./S.G



DV10-B Series 光学台面

Optical Table Top

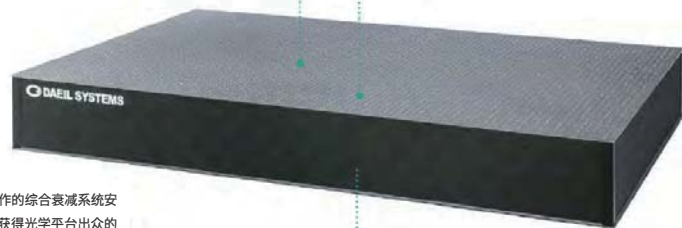
为固定实验器具而设的安装孔 (Mounting Hole)

在光学台面的表面设有安装孔，以固定各种光学设备，精心研磨光学台面的表面，以提供无眩光的工作表面



防溢杯

所有的安装孔下方都装有防溢杯，以防止实验过程中化学物或异物流入光学台面内部。



综合衰减系统

将特别设计及制作的综合衰减系统安装在侧面，由此获得光学平台出众的衰减功能。

M6安装孔

蜂窝状核心

防溢杯

高刚性钢蜂窝芯结构 (Steel Honeycomb Core)

光学台面的内部为钢蜂窝芯结构，由高密度及最小大小的蜂窝孔 (Cell) 组成，刚性极强。光学台面的刚性高，意味着弹性系数及台面的固有振动频率高，因此受实验室周围环境振动及干扰的影响小，因而导致的变形量也小。上下板、侧壁及钢蜂窝芯之间用环氧树脂粘合，其效果坚固而永久，不会发生弹性变形或滞后现象。所有的材料均为同样的钢材 (Steel Material)，不会因温度变化而变形。



钢制蜂窝芯

光学台面内部结构

柔量曲线

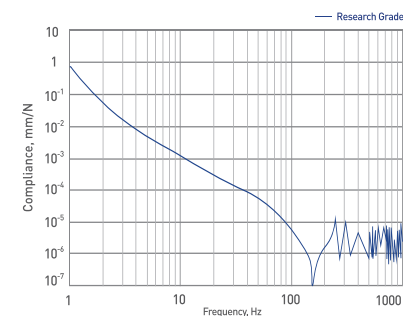
动态刚性的量化 (Compliance)

光学台面上施加外力时，表示外力导致能量有多快速消失的尺度就是柔量曲线。越是出色的光学台面，最低共振频率越高，柔量曲线值越低。也就是说，如果内部衰减功能出色，就能够使外力快速衰减，从而使相对位移降低至最低。柔量曲线显示决定动态性能的最小共振频率与最大共振大小，计算光学台面上安放的两个附件之间的实际相对运动时也可使用柔量曲线。

$$C = \frac{|X|}{|F|}$$

C = 柔量曲线
F = 外力的大小
X = 位移的振幅

Compliance Curve



动态变形系数 (Dynamic Deflection Coefficient)

动态变形系数由柔量曲线导出，可直接比较动态性能，也可决定实验所需光学台面的稳定程度。

$$\left(\frac{Q}{f_n^3}\right)^{1/2}$$

Q = 共振最大增幅
fn = 共振频率

最大相对运动量 (Maximum Relative Motion)

最大相对运动量为计算从最小共振频率到光学台面上的位置之间最大相对运动的值。最大相对运动量越小，代表光学台面的刚性越强。

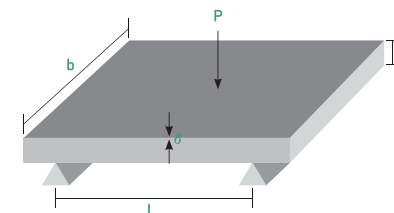
静态刚性 (Deflection Under Load)

静态刚性属于刚性的直观概念，计算的是静态负载放置在桌面上时其放置地点向下下垂的静态变形量。

$$\text{Deflection} = \frac{PL^3}{24Eb TH^2} + \frac{PL}{4Ghb}$$

P = 负载所施加的力量
L = 支撑架之间的宽度 (台面长度 X 0.56)
b = 台面长度
H = 台面的厚度
T = 表面的厚度
E = 表面材质的Young个数
G = Core的Shear个数

重量所施加的静态变形量



研究级光学台面

在台面内部安装特别设计制作的综合衰减系统，提升了动态刚性，因此柔量曲线值低，衰减功能出色，适合于对振动敏感的精密光学实验。

科学级光学台面

这是一款广泛应用的光学台面，刚性及平面度均出色，一般的光学实验均可使用*

非磁性光学平台

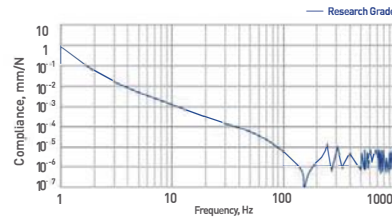
由 SUS304 非磁性不锈钢制成，用于对磁场影响敏感的地方。如用于洁净室，则要求清洁度达到 100。可根据客户用途量身定制。



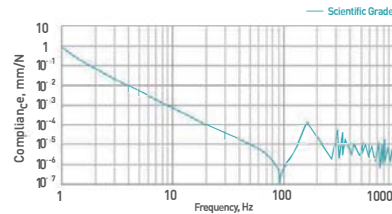
规格

Construction		
Core	Steel honeycomb core, 0.25 mm (1 in.) thick foil	
Core Cell Size	2.9 cm ² (0.4 in ²)	
Core Shear Modulus	19339 kgf/cm ² (275,000 psi)	
Surface Flatness	±0.1 mm (±0.004 in.) over 600 mm ² (2 ft.)	
Top Skin	430 series ferromagnetic stainless steel, 4.0 mm thick	
Bottom Skin	4.5 mm thick steel	
Side Walls	2.0 mm thick steel plate with highly damped composite wood	
Mounting Holes	M6-1.0 (1/4-20)	
Mounting Hole Pattern	25 mm (1 in.) grid	
Mounting Hole Borders	37.5 mm (1.5 in.)	
Mounting Hole Sealing	21 mm deep cylindrical cup (chemical resistant nylon material)	
Damping	Broadband damping	
Performance		
	Research Grade	Scientific Grade
Deflection Underload	1.2 x 10 ⁻³ mm	1.2 x 10 ⁻³ mm
Maximum Relative Motion	7.5 x 10 ⁻⁴ mm	1.9 x 10 ⁻⁴ mm
Maximum Dynamic Deflection Coefficient	0.3 x 10 ⁻³	0.6 x 10 ⁻³

柔量曲线



* 测量的是2400 X 1200 X 300 mm光学台面。



型号排序图

Optical Table Top 200t

Model No.	Dimensions W x D x H (mm)	Dimensions W x D x H (in.)	Weight (kg)
DVIO-B-1010M/E-200t-R,G/S,G	1000 x 1000 x 200	40 x 40 x 8	139
DVIO-B-1212M/E-200t-R,G/S,G	1200 x 1200 x 200	48 x 48 x 8	201
DVIO-B-1575M/E-200t-R,G/S,G	1500 x 750 x 200	60 x 30 x 8	157
DVIO-B-1509M/E-200t-R,G/S,G	1500 x 900 x 200	60 x 36 x 8	188
DVIO-B-1510M/E-200t-R,G/S,G	1500 x 1000 x 200	60 x 40 x 8	209
DVIO-B-1512M/E-200t-R,G/S,G	1500 x 1200 x 200	60 x 48 x 8	251
DVIO-B-1515M/E-200t-R,G/S,G	1500 x 1500 x 200	60 x 60 x 8	313
DVIO-B-1807M/E-200t-R,G/S,G	1800 x 700 x 200	72 x 28 x 8	175
DVIO-B-1875M/E-200t-R,G/S,G	1800 x 750 x 200	72 x 30 x 8	188
DVIO-B-1809M/E-200t-R,G/S,G	1800 x 900 x 200	72 x 36 x 8	226
DVIO-B-1810M/E-200t-R,G/S,G	1800 x 1000 x 200	72 x 40 x 8	251
DVIO-B-1812M/E-200t-R,G/S,G	1800 x 1200 x 200	72 x 48 x 8	301
DVIO-B-1815M/E-200t-R,G/S,G	1800 x 1500 x 200	72 x 60 x 8	376
DVIO-B-2009M/E-200t-R,G/S,G	2000 x 900 x 200	80 x 36 x 8	251
DVIO-B-2010M/E-200t-R,G/S,G	2000 x 1000 x 200	80 x 40 x 8	278
DVIO-B-2012M/E-200t-R,G/S,G	2000 x 1200 x 200	80 x 48 x 8	334
DVIO-B-2015M/E-200t-R,G/S,G	2000 x 1500 x 200	80 x 60 x 8	417
DVIO-B-2409M/E-200t-R,G/S,G	2400 x 900 x 200	96 x 36 x 8	301
DVIO-B-2410M/E-200t-R,G/S,G	2400 x 1000 x 200	96 x 40 x 8	334
DVIO-B-2412M/E-200t-R,G/S,G	2400 x 1200 x 200	96 x 48 x 8	401
DVIO-B-2415M/E-200t-R,G/S,G	2400 x 1500 x 200	96 x 60 x 8	501
DVIO-B-2508M/E-200t-R,G/S,G	2500 x 800 x 200	100 x 32 x 8	278
DVIO-B-3009M/E-200t-R,G/S,G	3000 x 900 x 200	120 x 36 x 8	376
DVIO-B-3010M/E-200t-R,G/S,G	3000 x 1000 x 200	120 x 40 x 8	417
DVIO-B-3012M/E-200t-R,G/S,G	3000 x 1200 x 200	120 x 48 x 8	501
DVIO-B-3015M/E-200t-R,G/S,G	3000 x 1500 x 200	120 x 60 x 8	626
DVIO-B-3612M/E-200t-R,G/S,G	3600 x 1200 x 200	144 x 48 x 8	601
DVIO-B-3615M/E-200t-R,G/S,G	3600 x 1500 x 200	144 x 60 x 8	751

Optical Table Top 400t

Model No.	Dimensions W x D x H (mm)	Dimensions W x D x H (in.)	Weight (kg)
DVIO-B-1812M/E-400t-R,G/S,G	1800 x 1200 x 400	72 x 48 x 16	471
DVIO-B-1815M/E-400t-R,G/S,G	1800 x 1500 x 400	72 x 60 x 16	589
DVIO-B-2010M/E-400t-R,G/S,G	2000 x 1000 x 400	80 x 40 x 16	436
DVIO-B-2012M/E-400t-R,G/S,G	2000 x 1200 x 400	80 x 48 x 16	524
DVIO-B-2015M/E-400t-R,G/S,G	2000 x 1500 x 400	80 x 60 x 16	654
DVIO-B-2409M/E-400t-R,G/S,G	2400 x 900 x 400	96 x 36 x 16	471
DVIO-B-2410M/E-400t-R,G/S,G	2400 x 1000 x 400	96 x 40 x 16	524
DVIO-B-2412M/E-400t-R,G/S,G	2400 x 1200 x 400	96 x 48 x 16	628
DVIO-B-2415M/E-400t-R,G/S,G	2400 x 1500 x 400	96 x 60 x 16	785
DVIO-B-3009M/E-400t-R,G/S,G	3000 x 900 x 400	120 x 36 x 16	589
DVIO-B-3010M/E-400t-R,G/S,G	3000 x 1000 x 400	120 x 40 x 16	654
DVIO-B-3012M/E-400t-R,G/S,G	3000 x 1200 x 400	120 x 48 x 16	785
DVIO-B-3015M/E-400t-R,G/S,G	3000 x 1500 x 400	120 x 60 x 16	981
DVIO-B-3612M/E-400t-R,G/S,G	3600 x 1200 x 400	144 x 48 x 16	942
DVIO-B-3615M/E-400t-R,G/S,G	3600 x 1500 x 400	144 x 60 x 16	1178

* 除以上规格之外亦可定制。

Optical Table Top 300t

Model No.	Dimensions W x D x H (mm)	Dimensions W x D x H (in.)	Weight (kg)
DVIO-B-1010M/E-300t-R,G/S,G	1000 x 1000 x 300	40 x 40 x 12	165
DVIO-B-1212M/E-300t-R,G/S,G	1200 x 1200 x 300	48 x 48 x 12	238
DVIO-B-1575M/E-300t-R,G/S,G	1500 x 750 x 300	60 x 30 x 12	186
DVIO-B-1509M/E-300t-R,G/S,G	1500 x 900 x 300	60 x 36 x 12	223
DVIO-B-1510M/E-300t-R,G/S,G	1500 x 1000 x 300	60 x 40 x 12	248
DVIO-B-1512M/E-300t-R,G/S,G	1500 x 1200 x 300	60 x 48 x 12	297
DVIO-B-1515M/E-300t-R,G/S,G	1500 x 1500 x 300	60 x 60 x 12	372
DVIO-B-1875M/E-300t-R,G/S,G	1800 x 750 x 300	72 x 30 x 12	223
DVIO-B-1809M/E-300t-R,G/S,G	1800 x 900 x 300	72 x 36 x 12	268
DVIO-B-1810M/E-300t-R,G/S,G	1800 x 1000 x 300	72 x 40 x 12	297
DVIO-B-1812M/E-300t-R,G/S,G	1800 x 1200 x 300	72 x 48 x 12	357
DVIO-B-1815M/E-300t-R,G/S,G	1800 x 1500 x 300	72 x 60 x 12	446
DVIO-B-2009M/E-300t-R,G/S,G	2000 x 900 x 300	80 x 36 x 12	297
DVIO-B-2010M/E-300t-R,G/S,G	2000 x 1000 x 300	80 x 40 x 12	330
DVIO-B-2012M/E-300t-R,G/S,G	2000 x 1200 x 300	80 x 48 x 12	396
DVIO-B-2015M/E-300t-R,G/S,G	2000 x 1500 x 300	80 x 60 x 12	495
DVIO-B-2409M/E-300t-R,G/S,G	2400 x 900 x 300	96 x 36 x 12	357
DVIO-B-2410M/E-300t-R,G/S,G	2400 x 1000 x 300	96 x 40 x 12	396
DVIO-B-2412M/E-300t-R,G/S,G	2400 x 1200 x 300	96 x 48 x 12	476
DVIO-B-2415M/E-300t-R,G/S,G	2400 x 1500 x 300	96 x 60 x 12	594
DVIO-B-2515M/E-300t-R,G/S,G	2500 x 1500 x 300	100 x 60 x 12	620
DVIO-B-3009M/E-300t-R,G/S,G	3000 x 900 x 300	120 x 36 x 12	446
DVIO-B-3010M/E-300t-R,G/S,G	3000 x 1000 x 300	120 x 40 x 12	495
DVIO-B-3012M/E-300t-R,G/S,G	3000 x 1200 x 300	120 x 48 x 12	594
DVIO-B-3015M/E-300t-R,G/S,G	3000 x 1500 x 300	120 x 60 x 12	743
DVIO-B-3612M/E-300t-R,G/S,G	3600 x 1200 x 300	144 x 48 x 12	713
DVIO-B-3615M/E-300t-R,G/S,G	3600 x 1500 x 300	144 x 60 x 12	891

产品订购描述

DVIO-B-2412 M/E/N-300t-R,G/S,G

R,G : Research Grade
S,G : Scientific Grade
光学台面厚度
安装孔规格: Metric(M) / Inch(E) / No Holes(N)
光学台面尺寸 (W x D)



光学面包板

25mm、50mm 和 100mm 厚的光学面包板提供出色的静态及动态刚性，在广范围的频段均能有效降低相对位移。



规格

Construction	
Core	Steel honeycomb core, 0.25 mm (1 in.) thick foil
Core Cell Size	2.9 cm ² (0.4 in ²)
Core Shear Modulus	19339 kg/cm ² (275,000 psi)
Surface Flatness	± 0.1 mm (± 0.004 in.) over 600 mm ² (2 ft.)
Top Skin	430 series ferromagnetic stainless steel 4.0 mm thick
Bottom Skin	4.5 mm thick steel
Side Walls	2.0 mm thick steel plate with highly damped composite wood
Mounting Holes	M6-1.0 (1/4"-20)
Mounting Hole Patterns	25 mm (1 in.) grid
Mounting Hole Borders	37.5 mm (1.5 in.)
Mounting Hole Sealing	21 mm deep cylindrical cup (chemical resistant nylon material)
Damping	Broadband damping

定制光学面包板



型号排序图

Optical Breadboard 25t

Model No.	Dimensions W x D x t (mm)	Dimensions W x D x t (in.)	Weight (kg)
DVIO-B-0504M/E-25t	500 x 400 x 25	20 x 16 x 1	14
DVIO-B-0603M/E-25t	600 x 300 x 25	24 x 12 x 1	13
DVIO-B-0605M/E-25t	600 x 500 x 25	24 x 20 x 1	22
DVIO-B-0606M/E-25t	600 x 600 x 25	24 x 24 x 1	25
DVIO-B-0707M/E-25t	700 x 700 x 25	28 x 28 x 1	39
DVIO-B-0806M/E-25t	800 x 600 x 25	32 x 24 x 1	34
DVIO-B-0906M/E-25t	900 x 600 x 25	36 x 24 x 1	38
DVIO-B-0907M/E-25t	900 x 700 x 25	36 x 28 x 1	47
DVIO-B-0909M/E-25t	900 x 900 x 25	36 x 36 x 1	57
DVIO-B-1006M/E-25t	1000 x 600 x 25	40 x 24 x 1	42
DVIO-B-1007M/E-25t	1000 x 700 x 25	40 x 28 x 1	53
DVIO-B-1206M/E-25t	1200 x 600 x 25	48 x 24 x 1	50
DVIO-B-1207M/E-25t	1200 x 700 x 25	48 x 28 x 1	63
DVIO-B-1209M/E-25t	1200 x 900 x 25	48 x 36 x 1	76
DVIO-B-1509M/E-25t	1500 x 900 x 25	60 x 36 x 1	95

Optical Breadboard 50t

Model No.	Dimensions W x D x t (mm)	Dimensions W x D x t (in.)	Weight (kg)
DVIO-B-0504M/E-50t	500 x 400 x 50	20 x 16 x 2	18
DVIO-B-0605M/E-50t	600 x 500 x 50	24 x 20 x 2	27
DVIO-B-0606M/E-50t	600 x 600 x 50	24 x 24 x 2	32
DVIO-B-0707M/E-50t	700 x 700 x 50	28 x 28 x 2	43
DVIO-B-0806M/E-50t	800 x 600 x 50	32 x 24 x 2	42
DVIO-B-0906M/E-50t	900 x 600 x 50	36 x 24 x 2	47
DVIO-B-0907M/E-50t	900 x 700 x 50	36 x 28 x 2	55
DVIO-B-0975M/E-50t	900 x 750 x 50	36 x 30 x 2	59
DVIO-B-0909M/E-50t	900 x 900 x 50	36 x 36 x 2	71
DVIO-B-1005M/E-50t	1000 x 500 x 50	40 x 20 x 2	44
DVIO-B-1006M/E-50t	1000 x 600 x 50	40 x 24 x 2	53
DVIO-B-1007M/E-50t	1000 x 700 x 50	40 x 28 x 2	61
DVIO-B-1075M/E-50t	1000 x 750 x 50	40 x 30 x 2	66
DVIO-B-1009M/E-50t	1000 x 900 x 50	40 x 36 x 2	79
DVIO-B-1010M/E-50t	1000 x 1000 x 50	40 x 40 x 2	87
DVIO-B-1206M/E-50t	1200 x 600 x 50	48 x 24 x 2	63
DVIO-B-1207M/E-50t	1200 x 700 x 50	48 x 28 x 2	74
DVIO-B-1275M/E-50t	1200 x 750 x 50	48 x 30 x 2	79
DVIO-B-1209M/E-50t	1200 x 900 x 50	48 x 36 x 2	94
DVIO-B-1210M/E-50t	1200 x 1000 x 50	48 x 40 x 2	105
DVIO-B-1212M/E-50t	1200 x 1200 x 50	48 x 48 x 2	126
DVIO-B-1306M/E-50t	1300 x 600 x 50	52 x 24 x 2	68
DVIO-B-1506M/E-50t	1500 x 600 x 50	60 x 24 x 2	79
DVIO-B-1507M/E-50t	1500 x 700 x 50	60 x 28 x 2	92
DVIO-B-1575M/E-50t	1500 x 750 x 50	60 x 30 x 2	98
DVIO-B-1509M/E-50t	1500 x 900 x 50	60 x 36 x 2	118
DVIO-B-1510M/E-50t	1500 x 1000 x 50	60 x 40 x 2	131
DVIO-B-1512M/E-50t	1500 x 1200 x 50	60 x 48 x 2	157
DVIO-B-1806M/E-50t	1800 x 600 x 50	72 x 24 x 2	94
DVIO-B-1807M/E-50t	1800 x 700 x 50	72 x 28 x 2	110
DVIO-B-1809M/E-50t	1800 x 900 x 50	72 x 36 x 2	141
DVIO-B-1812M/E-50t	1800 x 1200 x 50	72 x 48 x 2	188
DVIO-B-2010M/E-50t	2000 x 1000 x 50	80 x 40 x 2	174
DVIO-B-2012M/E-50t	2000 x 1200 x 50	80 x 48 x 2	209
DVIO-B-2409M/E-50t	2400 x 900 x 50	96 x 36 x 2	188
DVIO-B-2412M/E-50t	2400 x 1200 x 50	96 x 48 x 2	251

Optical Breadboard 100t

Model No.	Dimensions W x D x t (mm)	Dimensions W x D x t (in.)	Weight (kg)
DVIO-B-0504M/E-100t	500 x 400 x 100	20 x 16 x 4	25
DVIO-B-0605M/E-100t	600 x 500 x 100	24 x 20 x 4	37
DVIO-B-0606M/E-100t	600 x 600 x 100	24 x 24 x 4	44
DVIO-B-0707M/E-100t	700 x 700 x 100	28 x 28 x 4	60
DVIO-B-0906M/E-100t	900 x 600 x 100	36 x 24 x 4	66
DVIO-B-0907M/E-100t	900 x 700 x 100	36 x 28 x 4	77
DVIO-B-0975M/E-100t	900 x 750 x 100	36 x 30 x 4	83
DVIO-B-0909M/E-100t	900 x 900 x 100	36 x 36 x 4	99
DVIO-B-1005M/E-100t	1000 x 500 x 100	40 x 20 x 4	61
DVIO-B-1006M/E-100t	1000 x 600 x 100	40 x 24 x 4	74
DVIO-B-1007M/E-100t	1000 x 700 x 100	40 x 28 x 4	86
DVIO-B-1075M/E-100t	1000 x 750 x 100	40 x 30 x 4	92
DVIO-B-1009M/E-100t	1000 x 900 x 100	40 x 36 x 4	110
DVIO-B-1010M/E-100t	1000 x 1000 x 100	40 x 40 x 4	122
DVIO-B-1206M/E-100t	1200 x 600 x 100	48 x 24 x 4	88
DVIO-B-1207M/E-100t	1200 x 700 x 100	48 x 28 x 4	103
DVIO-B-1275M/E-100t	1200 x 750 x 100	48 x 30 x 4	110
DVIO-B-1209M/E-100t	1200 x 900 x 100	48 x 36 x 4	132
DVIO-B-1210M/E-100t	1200 x 1000 x 100	48 x 40 x 4	147
DVIO-B-1212M/E-100t	1200 x 1200 x 100	48 x 48 x 4	176
DVIO-B-1506M/E-100t	1500 x 600 x 100	60 x 24 x 4	110
DVIO-B-1507M/E-100t	1500 x 700 x 100	60 x 28 x 4	129
DVIO-B-1575M/E-100t	1500 x 750 x 100	60 x 30 x 4	138
DVIO-B-1509M/E-100t	1500 x 900 x 100	60 x 36 x 4	165
DVIO-B-1510M/E-100t	1500 x 1000 x 100	60 x 40 x 4	183
DVIO-B-1512M/E-100t	1500 x 1200 x 100	60 x 48 x 4	220
DVIO-B-1806M/E-100t	1800 x 600 x 100	72 x 24 x 4	132
DVIO-B-1807M/E-100t	1800 x 700 x 100	72 x 28 x 4	154
DVIO-B-1809M/E-100t	1800 x 900 x 100	72 x 36 x 4	198
DVIO-B-1812M/E-100t	1800 x 1200 x 100	72 x 48 x 4	264
DVIO-B-2010M/E-100t	2000 x 1000 x 100	80 x 40 x 4	265
DVIO-B-2012M/E-100t	2000 x 1200 x 100	80 x 48 x 4	293
DVIO-B-2409M/E-100t	2400 x 900 x 100	96 x 36 x 4	264
DVIO-B-2410M/E-100t	2400 x 1000 x 100	96 x 40 x 4	293
DVIO-B-2412M/E-100t	2400 x 1200 x 100	96 x 48 x 4	352

* 除以上规格之外亦可定做。

产品订购描述

DVIO-B-0506 M/E/N-50t

面包板厚度
安装孔规格: Metric(M) / Inch(E) / No Holes(N)
光学台面尺寸 (W x D)



Solution for Vibration 43

光学铝板

光学铝板采用黑色阳极氧化表面，降低光的反射，将表面损伤降低至最低，提供以最低费用安装 (Setup) 光学实验机器的环境。

规格

Material	6061 Aluminum
Finish	15 um Black anodized
Thickness	12 mm / 15 mm
Mounting Hole	M6-1.0 (1/4"-20)
Mounting Hole Pattern	25 mm (1 in.) grid
Mounting Hole Borders	37.5 mm (1.5 in.)



产品订购描述

DSAP-0906 M/E/N-15t



型号排序图

Model No.	Dimensions W x D x t (mm)	Dimensions W x D x t (in.)	Weight (kg) 12 / 15t
DSAP-0002M/E-12/15t	300 x 200 x 12/15	12 x 8 x 0.5/0.6	2 / 2
DSAP-0003M/E-12/15t	300 x 300 x 12/15	12 x 12 x 0.5/0.6	3 / 4
DSAP-0004M/E-12/15t	300 x 400 x 12/15	12 x 16 x 0.5/0.6	4 / 5
DSAP-0345M/E-12/15t	300 x 450 x 12/15	12 x 18 x 0.5/0.6	4 / 6
DSAP-0305M/E-12/15t	300 x 500 x 12/15	12 x 20 x 0.5/0.6	5 / 6
DSAP-0306M/E-12/15t	300 x 600 x 12/15	12 x 24 x 0.5/0.6	6 / 7
DSAP-0307M/E-12/15t	300 x 700 x 12/15	12 x 28 x 0.5/0.6	7 / 9
DSAP-0604M/E-12/15t	400 x 400 x 12/15	16 x 16 x 0.5/0.6	5 / 7
DSAP-0405M/E-12/15t	400 x 500 x 12/15	16 x 20 x 0.5/0.6	7 / 8
DSAP-4545M/E-12/15t	450 x 450 x 12/15	18 x 18 x 0.5/0.6	7 / 8
DSAP-0406M/E-12/15t	400 x 600 x 12/15	16 x 24 x 0.5/0.6	8 / 10
DSAP-0407M/E-12/15t	400 x 700 x 12/15	16 x 28 x 0.5/0.6	9 / 11
DSAP-4575M/E-12/15t	450 x 750 x 12/15	18 x 30 x 0.5/0.6	11 / 14
DSAP-0602M/E-12/15t	500 x 200 x 12/15	20 x 8 x 0.5/0.6	3 / 4
DSAP-0605M/E-12/15t	500 x 500 x 12/15	20 x 20 x 0.5/0.6	8 / 10
DSAP-0506M/E-12/15t	500 x 600 x 12/15	20 x 24 x 0.5/0.6	10 / 12
DSAP-0507M/E-12/15t	500 x 700 x 12/15	20 x 28 x 0.5/0.6	11 / 14
DSAP-0575M/E-12/15t	500 x 750 x 12/15	20 x 30 x 0.5/0.6	12 / 15
DSAP-0508M/E-12/15t	500 x 800 x 12/15	20 x 32 x 0.5/0.6	13 / 16
DSAP-0509M/E-12/15t	500 x 900 x 12/15	20 x 36 x 0.5/0.6	15 / 18
DSAP-0606M/E-12/15t	600 x 600 x 12/15	24 x 24 x 0.5/0.6	12 / 15

Model No.	Dimensions W x D x t (mm)	Dimensions W x D x t (in.)	Weight (kg) 12 / 15t
DSAP-0607M/E-12/15t	600 x 700 x 12/15	24 x 28 x 0.5/0.6	14 / 17
DSAP-0609M/E-12/15t	600 x 900 x 12/15	24 x 36 x 0.5/0.6	18 / 22
DSAP-0707M/E-12/15t	700 x 700 x 12/15	28 x 28 x 0.5/0.6	16 / 20
DSAP-7575M/E-12/15t	750 x 750 x 12/15	30 x 30 x 0.5/0.6	18 / 23
DSAP-0909M/E-12/15t	900 x 900 x 12/15	36 x 36 x 0.5/0.6	26 / 33
DSAP-1003M/E-12/15t	1000 x 300 x 12/15	40 x 12 x 0.5/0.6	10 / 12
DSAP-1004M/E-12/15t	1000 x 400 x 12/15	40 x 16 x 0.5/0.6	13 / 16
DSAP-1005M/E-12/15t	1000 x 500 x 12/15	40 x 20 x 0.5/0.6	16 / 20
DSAP-1006M/E-12/15t	1000 x 600 x 12/15	40 x 24 x 0.5/0.6	19 / 24
DSAP-1007M/E-12/15t	1000 x 700 x 12/15	40 x 28 x 0.5/0.6	23 / 28
DSAP-1008M/E-12/15t	1000 x 800 x 12/15	40 x 32 x 0.5/0.6	26 / 32
DSAP-1009M/E-12/15t	1000 x 900 x 12/15	40 x 36 x 0.5/0.6	29 / 37
DSAP-1010M/E-12/15t	1000 x 1000 x 12/15	40 x 40 x 0.5/0.6	32 / 41
DSAP-1011M/E-12/15t	1000 x 1100 x 12/15	40 x 44 x 0.5/0.6	36 / 45
DSAP-1012M/E-12/15t	1000 x 1200 x 12/15	40 x 48 x 0.5/0.6	39 / 49
DSAP-1203M/E-12/15t	1200 x 300 x 12/15	48 x 12 x 0.5/0.6	12 / 15
DSAP-1206M/E-12/15t	1200 x 600 x 12/15	48 x 24 x 0.5/0.6	23 / 29
DSAP-1209M/E-12/15t	1200 x 900 x 12/15	48 x 36 x 0.5/0.6	35 / 44
DSAP-1505M/E-12/15t	1500 x 500 x 12/15	60 x 20 x 0.5/0.6	24 / 30
DSAP-1506M/E-12/15t	1500 x 600 x 12/15	60 x 24 x 0.5/0.6	29 / 37
DSAP-1845M/E-12/15t	1800 x 450 x 12/15	72 x 20 x 0.5/0.6	26 / 33

* 除以上规格之外亦可定做。